

DALSA Evaluation Kit

for CCD and CMOS Image Sensors



Key Features

- CameraLink or LVDS output interface
- Single 6V power supply
- Mechanics for optical rail & tripod mount
- Fully configurable with supplied software
- Industry standard lens mount, with adjustable back focal length (selected models only)
- Size (LxBxH): 250x172x164mm (model dependent)
- Weight: 1.2kg (model dependent)

Programmability

- Exposure time control
- Synchronization pulses for shutter, lighting
- Accurate gain control
- Black level control
- Master or slave trigger modes

Overview

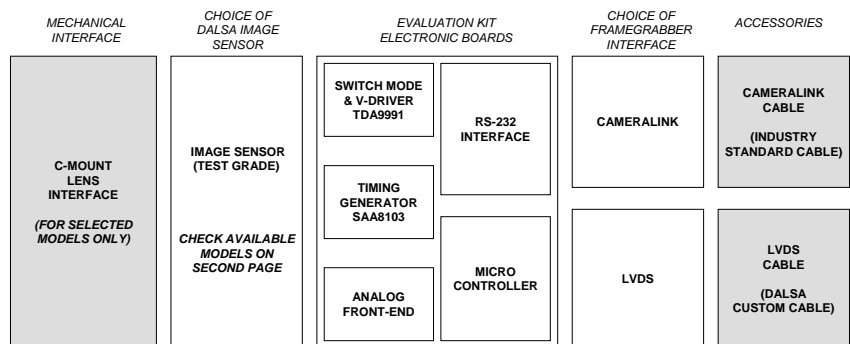
Kick-start your product development with our application reference design

DALSA's Evaluation Kit for CCD and CMOS image sensors will show you how to get the best out of a DALSA sensor's performance, fast. Combined with our extensive product documentation and application support, this camera reference design will save you vast amounts of time and effort in proving out your own designs and bringing your products to market.

Based on your choice of DALSA area-scan image sensor, DALSA's systems design expertise and peripheral IC's work together to help you design a high-performance camera. This provides an effective and proven solution that allows you to leverage our experience and expertise. The Evaluation Kit includes one /TG (test grade) image sensor of the selected type.

With a choice of Camera Link or LVDS interface, the Evaluation Kit is a camera reference design that contains all electronics needed to operate the image sensor, as in a final camera product. Operated on a single 6V DC power supply, the on-board microcontroller handles the overall system communication and configuration, enabling rapid system start-up. LabVIEW™ software is supplied to initialize and configure the system via an RS232 interface. The CD-ROM also contains configuration files for the following framegrabber models:

- National Instruments PCI-1424 (LVDS)
- DALSA X64-CL iPro (Camera Link)



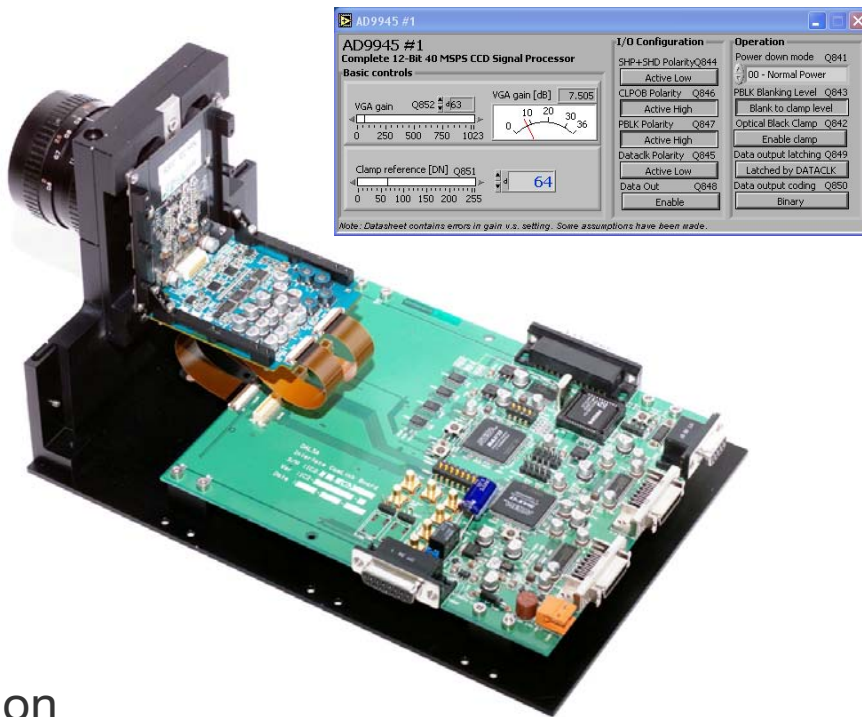
LabVIEW™ is a registered trademark of National Instruments Corporation.



DALSA Evaluation Kit

for CCD and CMOS Image Sensors

The Evaluation Kit provides you with an application reference design to kick-start your product development.



Ordering information

Part number:	Description:	Notes:	Part number:	Description:	Notes:
9922-158-0001x	EK FT18M		9922-158-0012x	EK FTF4052C	
9922-158-0002x	EK FTT1010M	1)	9922-158-0013x	EK FT50M	1
9922-158-0004x	EK FTF2416M		9922-158-0014x	EK FTF2020M	
9922-158-0007x	EK FTF3020M		9922-158-0015x	EK FTF5066M	
9922-158-0008x	EK FTF3020C		9922-158-0016x	EK FTF5066C	
9922-158-0009x	EK FTF4027M		9922-158-0017x	EK FTF6146M	
9922-158-0010x	EK FTF4027C		9922-158-0018x	EK FTF6146C	
9922-158-0011x	EK FTF4052M		9922-158-0019x	EK FTF7040M	
	<i>please use x=1 for version with LVDS output</i>			<i>M Monochrome sensor version</i>	
	<i>please use x=6 for version with Camera Link output</i>			<i>C RGB-color sensor version</i>	
				<i>1 Includes C-mount lens interface</i>	

The Evaluation Kit includes one /TG (test grade) image sensor of the respective type. See DALSA catalog and website for details about the indicated image sensors.

Accessories

Part number:	Description:
9922-158-00202	LVDS cable (DALSA custom cable)

INFORMATION SUBJECT TO CHANGE WITHOUT NOTICE

