

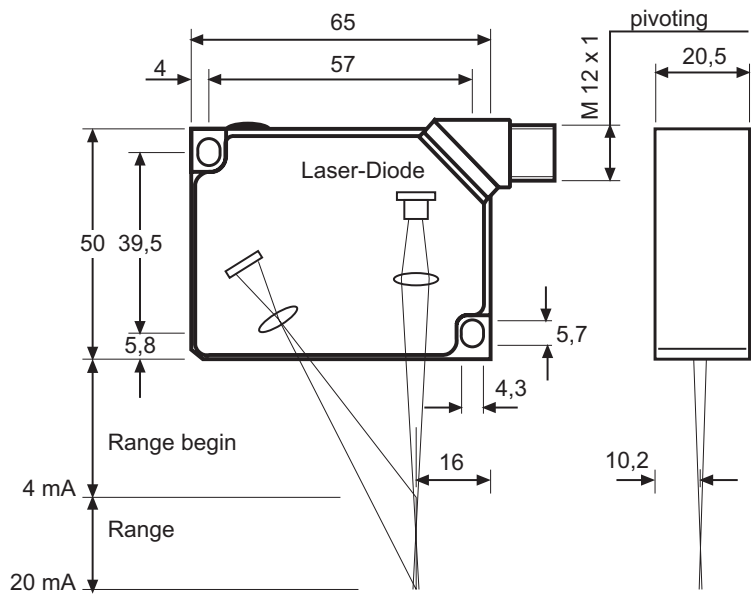
# Distance Sensor M1

- Measuring
- Controlling
- Monitoring

Low cost  
Distance measuring with Laser  
100 values / s  
Triangulation analog



**Sensor head M1 /20 /100 /200 /400**  
Weight 100 g



- independent from object surface
- no additional electronic module

# Laser Sensor M1

| Sensor                   | M1L/<br>20 | M1L/<br>100 | M1L/<br>200 | M1L/<br>400 |
|--------------------------|------------|-------------|-------------|-------------|
| Range [mm]               | 20         | 100         | 200         | 400         |
| Range begin [mm]         | 30         | 30          | 50          | 100         |
| Linearity* ± [mm]        | 0,1        | 0,2         | 0,9         | 1,5         |
| Resolution* [mm]         | 0,1        | 0,3         | 0,4         | 0,6         |
| Light spot diameter [mm] | 1          | 2           | 2           | 3           |

|                        |   |
|------------------------|---|
| Light source           | Laser, 670 nm, red visible                |
| Laser protection class | 2   |
| Distance output        | 4 ... 20 mA / 0 ... 10 V, optional RS 485 |
| Reaction time          | 10 ms                                     |
| Bandwith               | 100 Hz                                    |
| Temperature drift      | 0,04% of range / K                        |
| Not enough light       | PNP 100 mA                                |
| Ambient light          | 10.000 Lux                                |
| Operation time         | 50.000 h for Laser diode                  |
| Operation temperature  | 0° ... +50°C                              |
| Storage temperature    | -20° ... +70°C                            |
| Humidity               | < 90% RH                                  |
| Protection class       | IP 67                                     |
| Supply                 | 12 ... 28 VDC < 150 mA                    |

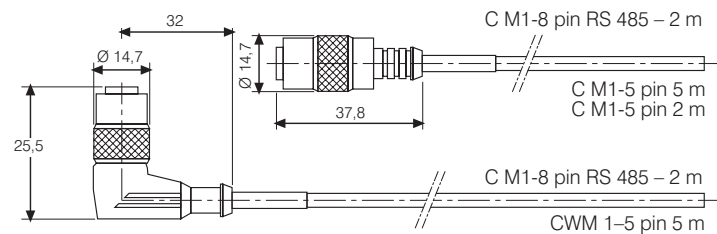
\* Measurement on object color white

## Delivery:

Sensor without connection cable and without connector

Please order cable and connector as accessories

## connection cable



## pin assignment

