

Preliminary Data Sheet

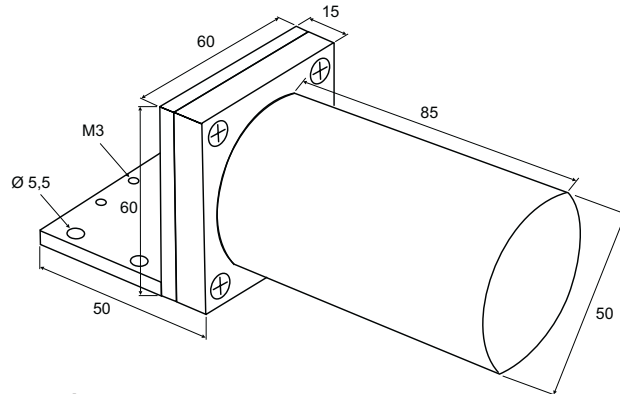
- Measuring
- Controlling
- Monitoring

Inductive Proximity Switch Mi400

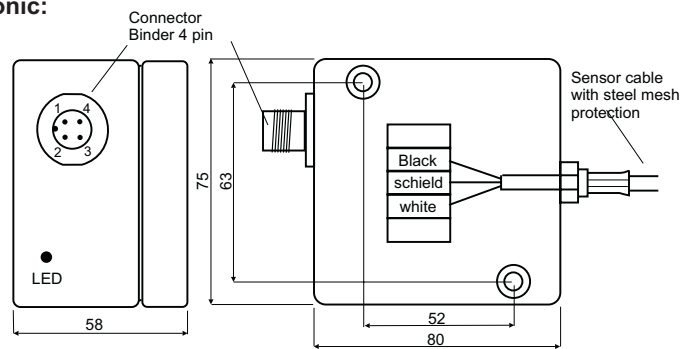


- Temperature range
-15°C ... 350°C
(short-time up to 400°C)

Sensor head:



Electronic:



Mounting of the sensor head:

The proximity switch can be attached to a metallic base with 4 screws at the fastening angle.

Sensor cable:

The cable can be disconnected for mounting purposes, the length of the delivered cable can not be changed!

The cable is delivered with external steel mesh protection. No sharp bending or permanent pressing may be applied!

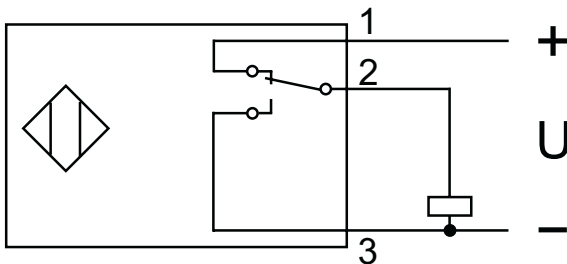
Attention:

Sensor head and electronic module are co-ordinated, single parts may not be exchanged!

Attention:

Ceramic cylinder is sensitive to impact!

Connections:



Technical Data:

Switching distance	15 mm
Supply voltage	nominal: 24 V work range: 16 - 28 V
Pin assignment of connector	1: +24 V 3: 0 V 4: non-connected 2: switching output
LED	red, illuminated if initiated
Temperature range	Sensor: -15°C ... 350°C, (short-time up to 400°C) Electronic: 0°C ... 50°C both: non-condensing
Protection class	Sensor: IP 60 Electronic: IP 64
Connector	M12
Cable length	3 or 7 m
Weight	Sensor: 440 g Electronic: 360 g Sensor cable: 70 g/m