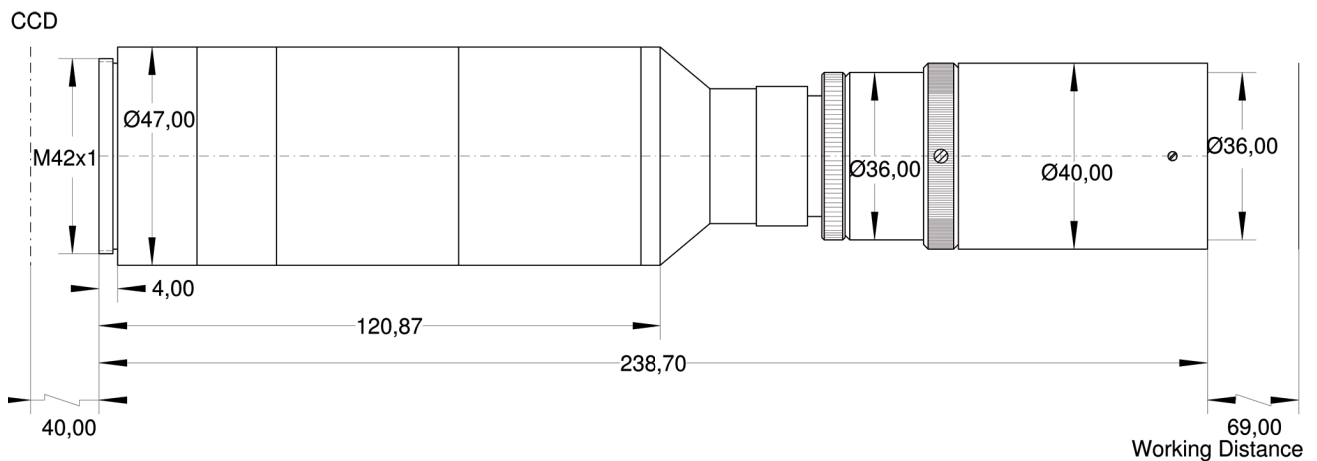


DATA SHEET

S5LPJ9325

Correctal® TL/5.0
telecentric lens
with M42-thread



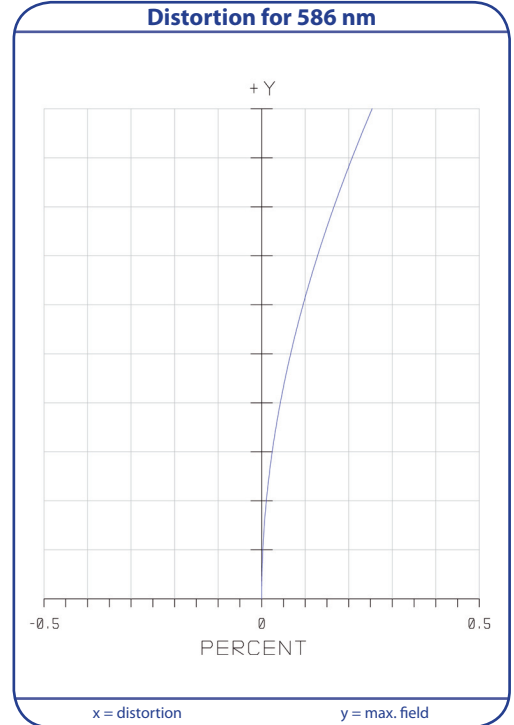
outline drawing

other adapter on special request

S5LPJ9325

Correctal® TL/5.0 telecentric lens with M42-thread

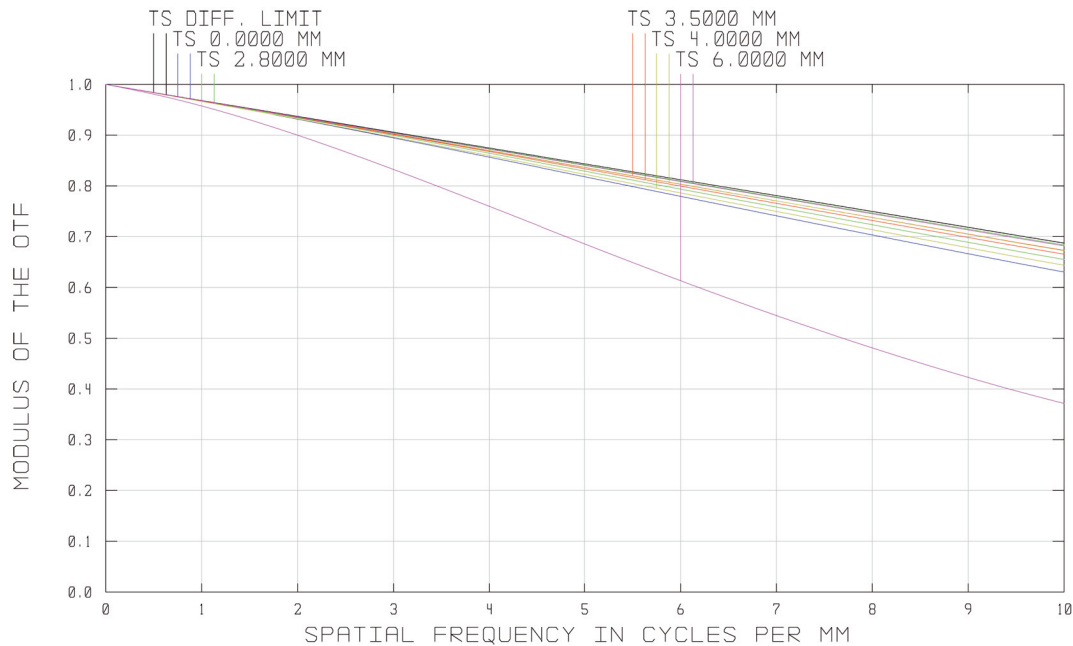
Specifications	
part number	S5LPJ9325
magnification (+/-5%)	5.0
working distance [mm] (+/-2%)	69.0
max. object size [mm] at a chip size of [mm]	5.6 28.0
distorsion [%]	0.07
max. object size [mm] at a chip size of [mm]	7.0 35.0
distorsion [%]	0.1
max. object size [mm] at a chip size of [mm]	8.0 40.0*)
distorsion [%]	0.15
max. object size [mm] at a chip size of [mm]	12.0 60.0**)
distorsion [%]	0.3
numerical aperture	0.06
max. outside-Ø [mm]	47.0
length [mm]	234.7
weight [kg]	0.45



T.. Tangential

MTF for various object heights

S.. Sagittal



*) with M52x1 thread **) with M72x1 thread